

# PIVOT-PRO

C80 Series 110° Snap-on Cam-adjustable Soft-close Aluminum Frame Hinges



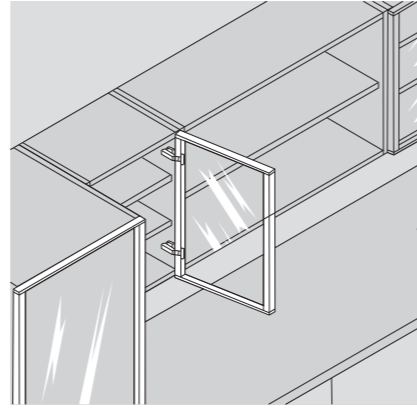
## PRODUCT



## DESCRIPTION

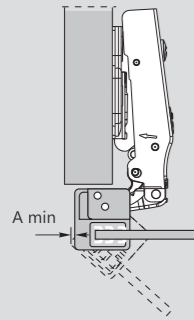
- Opening angle: 110°
- Drilling dimension on aluminium frame hinge head: 28mm
- Range of width of aluminium frame (V) : 19-22mm

## APPLICATION



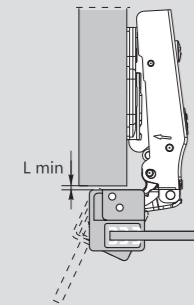
## PLANNING

### Space needed to open the door



	T=	16	17	18	19	20	21	22	23	24	25	26
V=19	A=	0.7	0.9	1.2	1.5	1.8	2.2	2.6	3.2	3.8	4.5	5.3
V=20	A=	0.7	0.9	1.1	1.4	1.8	2.1	2.5	3.0	3.5	4.4	4.9
V=21	A=	0.6	0.9	1.1	1.4	1.7	2.0	2.4	2.9	3.4	3.9	4.6
V=22	A=	0.6	0.8	1.1	1.3	1.6	2.0	2.4	2.8	3.2	3.8	4.4

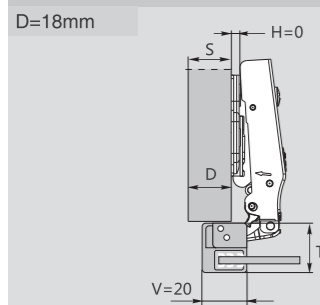
### Space needed to open the door



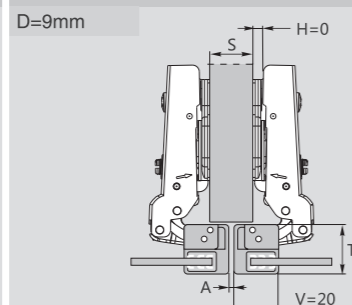
	T=	16	17	18	19	20	21	22	23	24	25	26
V=19	L=	0.0	0.0	0.0	0.0	0.0	0.0	0.0	0.0	0.0	0.0	0.1
V=20	L=	0.0	0.0	0.0	0.0	0.0	0.0	0.2	0.4	0.7	0.9	1.1
V=21	L=	0.0	0.2	0.4	0.6	0.8	1.0	1.2	1.4	1.6	1.8	2.0
V=22	L=	0.9	1.2	1.4	1.6	1.8	2.0	2.2	2.4	2.6	2.8	3.0

- The above values are calculated on the assumption that the doors have square edges.
- They are reduced if the doors have radiused edges.

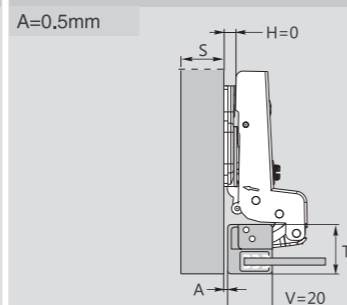
### C=0 Application with full overlay door



### C=9 Application with half overlay door



### C=18 Application with inset door

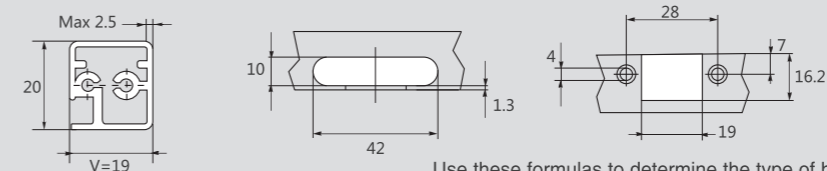


## ORDER INFORMATION



### Drilling dimensions on aluminium frame

V:19mm-22mm



Use these formulas to determine the type of hinge arm, the drilling distance "K" and the height of the mounting plate "H" for each door application.

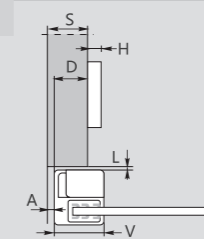
Nickel plated(A01)

### C80 Series 110° snap-on cam-adjustable soft-close aluminum frame hinges

Full overlay C=0



$H = -2 + V - (D)$

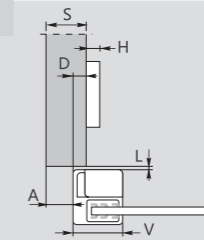


	Item No.	Pcs/ctn
Soft-close	<b>C80A678F</b>	200
Sprung	<b>C80A678</b>	200

Half overlay C=9



$H = -11 + V - (D)$

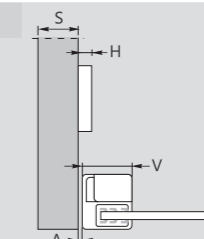


	Item No.	Pcs/ctn
Soft-close	<b>C80B678F</b>	200
Sprung	<b>C80B678</b>	200

Inset C=18



$H = -20.5 + V + (A)$



	Item No.	Pcs/ctn
Soft-close	<b>C80C678F</b>	200
Sprung	<b>C80C678</b>	200