

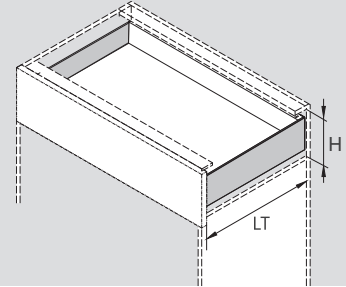
Narrow Spice Drawer (Kit Package)



DESCRIPTION

- Concealed, full extension
- load capacity: 40kg
- Tool free assembly and removal of drawer
- Silent system guarantees smooth run without noise
- 3D adjustment:
Up & down adjustment: ±2mm,
left & right adjustment: ±1.5mm,
tilt adjustment: 1.5, -2.5mm
- Finish: Grey matt(E30)

SPACE REQUIREMENT



LT = Internal cabinet depth
Minimum LT = 453mm
H = Internal drawer height
H (Top drawer) = 198mm
H (Bottom drawer) = 273mm

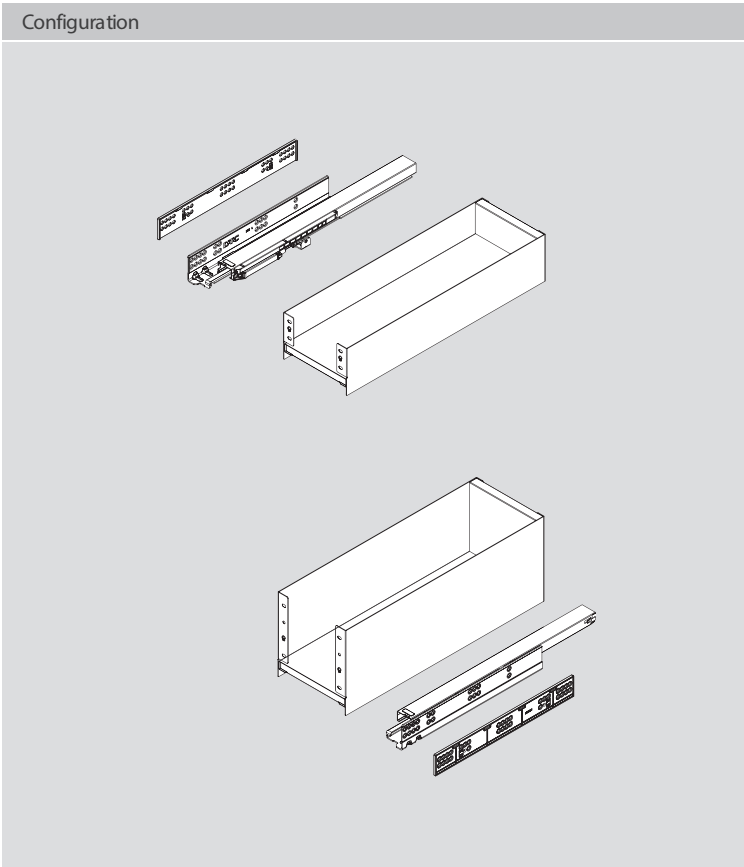
| Product Information | | | |
|---------------------|--------------|---------|----------------|
| Cabinet Width (KB) | Item No. | Set/ctn | Finish |
| 150mm | HK450A150Z01 | 1 | Grey Matt(E30) |
| 200mm | HK450A200Z01 | 1 | |

Refer to page 136,138 for cross divider item No.

Drawer Front Dimensions (mm)

LW = Internal cabinet width
FA = Overlay=(W-LW)/2
W = Drawer front width
h = Fixing hole distance between two slides

| A | Installation width(KB) |
|-----|------------------------|
| 74 | 150-199 |
| 124 | 200-299 |



Installation Dimensions (mm)

LW = Internal cabinet width
KB = Cabinet width
h = Fixing hole distance between two slides

Screw Positions of the Slides (mm)

Cabinet edge

Minimum Internal cabinet depth: 453mm