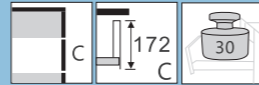


# MAGIC-STAR

## HE13 Series Straight-sided Drawer System (High Drawer: C Height)



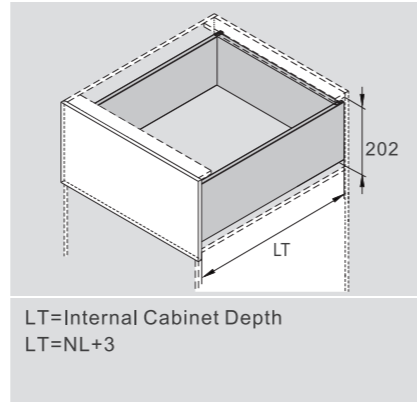
### PRODUCT



### DESCRIPTION

- Concealed, full extension
- Load capacity: 30kg
- Tool free assembly and removal of drawer
- Silent system guarantees smooth run without noise
- 2D adjustment: Up & down adjustment:  $\pm 2\text{mm}$ , left & right adjustment:  $\pm 1.5\text{mm}$
- Finish: Silk white(E29), Grey matt(E30)

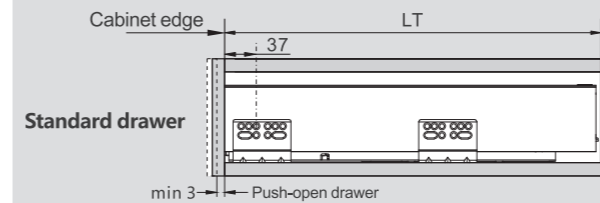
### SPACE REQUIREMENT



### PLANNING

#### Installation Dimensions(mm)

NL=Nominal Slide Length  
LT=Internal Cabinet Depth  
LT=NL+3



#### Cabinet Configuration

Cabinet widths/KB(mm)	Soft close drawer Stabilizer	Push-open drawer Synchronization rod	
300	—	○	— not recommended
350	—	○	
400	—	○	
450	—	○	
500	—	○	○ recommended
600	—	○	● strongly recommended
800	○	●	
900	○	●	
1000	○	●	
1200	○	●	

### HIGH DRAWER FOR WOOD DRAWER BACK

Kit Package				
NL	Soft Close item No.	Push-open item No.	Set/ctn	
270mm	HE13270A11	HE43270A11	1	Silk White(E29)! Grey Matt(E30)!
300mm	HE13300A11	HE43300A11	1	
350mm	HE13350A11	HE43350A11	1	
400mm	HE13400A11	HE43400A11	1	
450mm	HE13450A11	HE43450A11	1	
500mm	HE13500A11	HE43500A11	1	
550mm	HE13550A11	HE43550A11	1	
600mm	HE13600A11	HE43600A11	1	

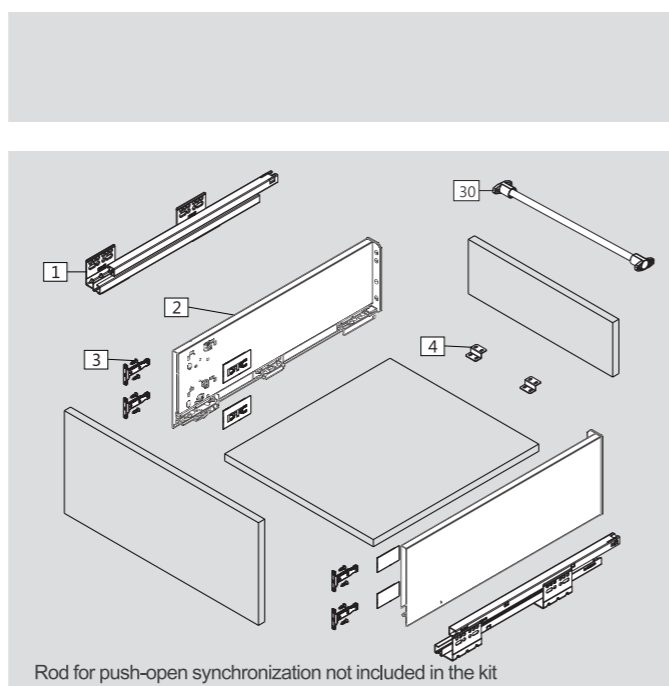
1 Slides (left/right) / Industrial Package				
NL	Soft Close item No.	Push-open item No.	Set/ctn	
270mm	HE01270H	HE41270H	5	Pre-zinc Steel(F02)
300mm	HE01300H	HE41300H	5	
350mm	HE01350H	HE41350H	5	
400mm	HE01400H	HE41400H	5	
450mm	HE01450H	HE41450H	5	
500mm	HE01500H	HE41500H	5	
550mm	HE01550H	HE41550H	5	
600mm	HE01600H	HE41600H	5	

2 Drawer Sides and Cover Caps (left/right) / Industrial Package				
NL	Item No.	Set/ctn		
270mm	HE132701	5	Silk White(E29)! Grey Matt(E30)!	
300mm	HE133001	5		
350mm	HE133501	5		
400mm	HE134001	5		
450mm	HE134501	5		
500mm	HE135001	5		
550mm	HE135501	5		
600mm	HE136001	5		

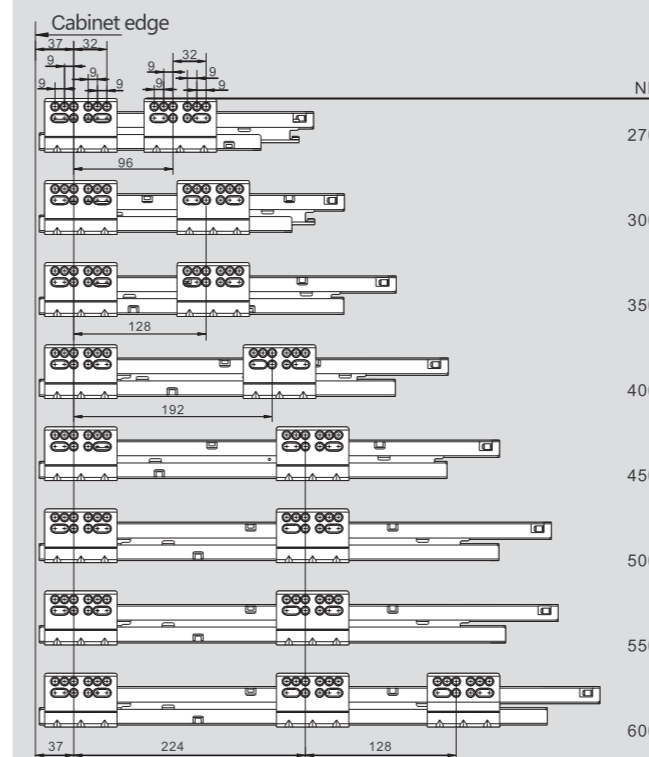
3 Front Fixing-brackets (left/right) / Industrial Package				
Pre-zinc Steel(F02)				
	Item No.	Set/ctn		
Screw-on	HT11011	120		
Press-in	HT11016	120		

4 Fixing-brackets				
Zinc plated(B04)				
	Item No.	Set/ctn		
	HT10082	400		

30 Rod for Push-open Synchronization / Industrial Package				
Size:1100mm.Cutting:Internal cabinet width LW-145				
	Item No.	Set/ctn		
	HT0FH02	60		

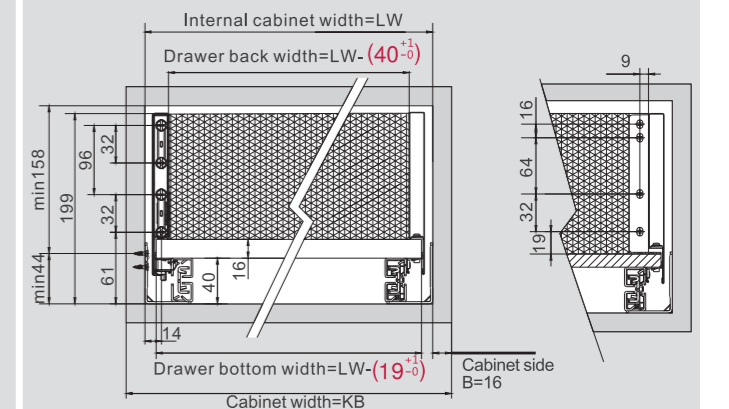


### Screw Positions of the Slides(mm)



### Installation Dimensions(mm)

LW=Internal Cabinet Width



### Drawer Front, Back and Bottom Dimensions(mm)

