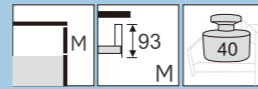


MAGIC-STAR PLUS

HD1A Series Straight-sided Drawer System (Low Drawer: M Height)



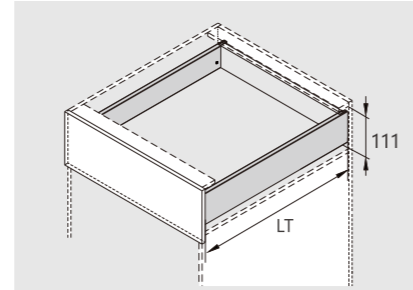
PRODUCT



DESCRIPTION

- Concealed, full extension
- Load capacity: 40kg
- Tool free assembly and removal of drawer
- Silent system guarantees smooth run without noise
- 3D adjustment:
Up & down adjustment: ± 2 mm
left & right adjustment: ± 1.2 mm
tilt adjustment: $+0.5$ mm, -3.5 mm
- Finish: Silk white(E29), Grey matt(E30), Black matt(E36)

SPACE REQUIREMENT

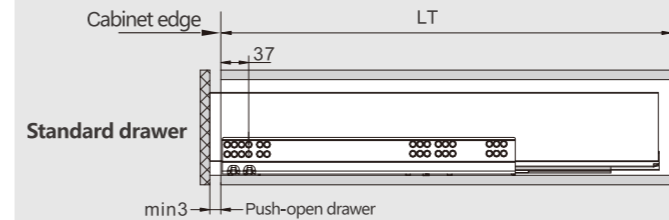


LT=Internal Cabinet Depth
LT=NL+3

PLANNING

Installation Dimensions(mm)

NL=Nominal Slide Length
LT=Internal Cabinet Depth
LT=NL+3



Cabinet Configuration

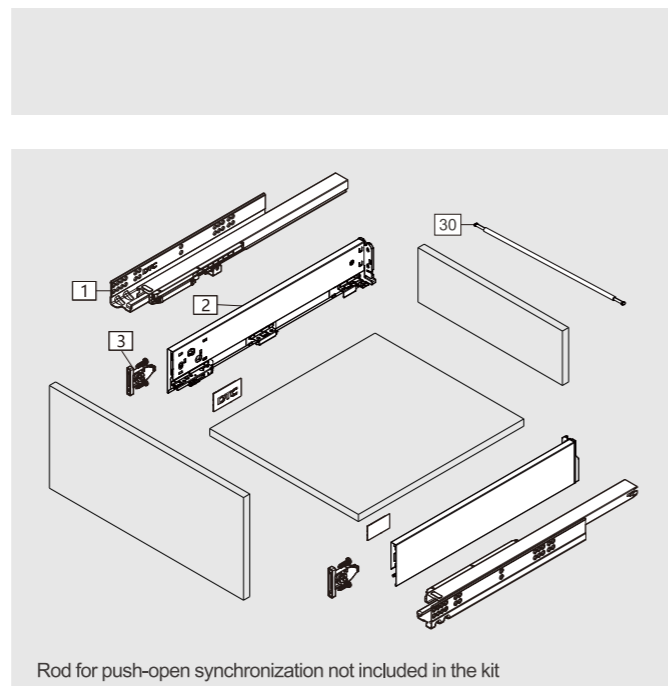
Cabinet widths/KB(mm)	Push-open drawer Synchronization rod	
300	○	○ recommended ● strongly recommended
350	○	
400	○	
450	○	
500	○	
600	○	
800	●	
900	●	
1000	●	
1200	●	

LOW DRAWER FOR WOOD DRAWER BACK

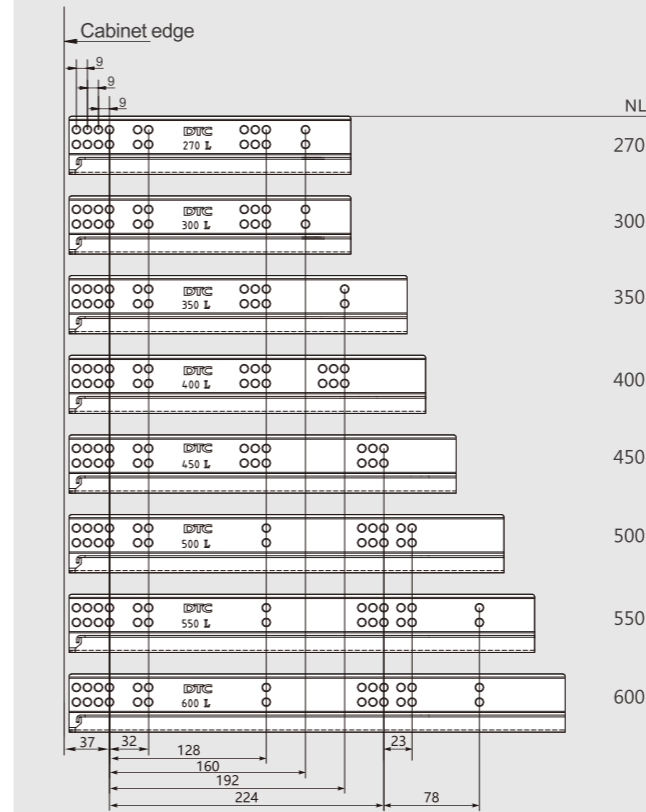
Kit Package				1 Slides (left/right) /Industrial Package				2 Drawer Sides and Cover Caps (left/right) /Industrial Package			
Silk white(E29) Grey matt(E30) Black matt(E36)				Pre-zinc Steel(F02)				Silk white(E29) Grey matt(E30) Black matt(E36)			
NL	Soft Close item No.	Push-open item No.	Set/ctn	NL	Soft Close item No.	Push-open item No.	Set/ctn	NL	Item No.	Set/ctn	Set/ctn
270mm	HD1A2704A11	HD6A2704A11	1	270mm	HD10270H	HD102704GX	5	270mm	HD1A27011	5	5
300mm	HD1A3004A11	HD6A3004A11	1	300mm	HD10300H	HD103004GX	5	300mm	HD1A30011	5	5
350mm	HD1A3504A11	HD6A3504A11	1	350mm	HD10350H	HD103504GX	5	350mm	HD1A35011	5	5
400mm	HD1A4004A11	HD6A4004A11	1	400mm	HD10400H	HD104004GX	5	400mm	HD1A40011	5	5
450mm	HD1A4504A11	HD6A4504A11	1	450mm	HD10450H	HD104504GX	5	450mm	HD1A45011	5	5
500mm	HD1A5004A11	HD6A5004A11	1	500mm	HD10500H	HD105004GX	5	500mm	HD1A50011	5	5
550mm	HD1A5504A11	HD6A5504A11	1	550mm	HD10550H	HD105504GX	5	550mm	HD1A55011	5	5
600mm	HD1A6004A11	HD6A6004A11	1	600mm	HD10600H	HD106004GX	5	600mm	HD1A60011	5	5

3 Front Fixing-brackets (left/right) / Industrial Package			
Pre-zinc Steel(F02)			
	Item No.	Set/ctn	
Screw-on	HE11011X	120	
Press-in	HE11016X	120	

30 Rod for Push-open Synchronization			
(For cutting to size,1100mm. Cutting:Internal cabinet width LW-167)			
Dark Grey(H11)			
Item No.	GG0FH01	Set/ctn	120

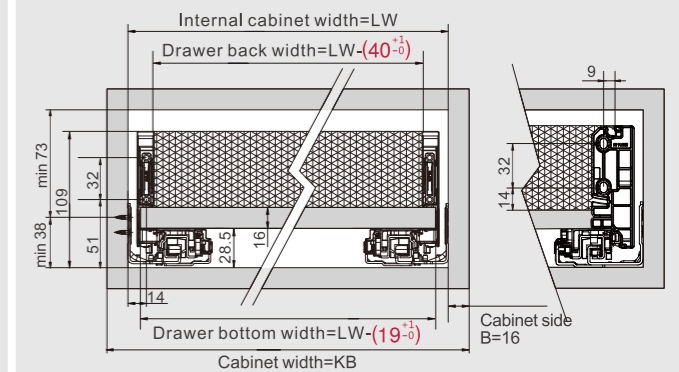


Screw Positions of the Slides(mm)

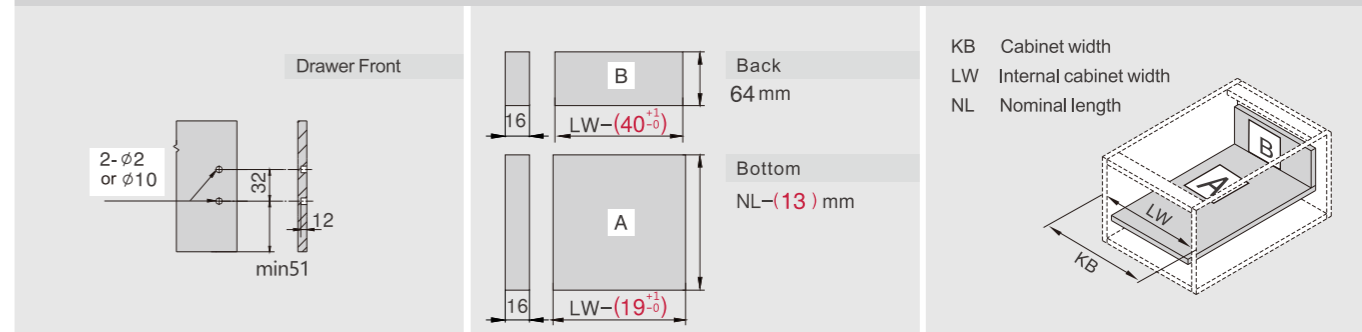


Installation Dimensions(mm)

LW=Internal Cabinet Width

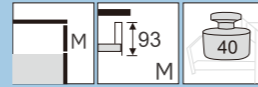


Drawer Front, Back and Bottom Dimensions(mm)



MAGIC-STAR PLUS

HD1A Series Straight-sided Drawer System (Low Inner Drawer: M Height)



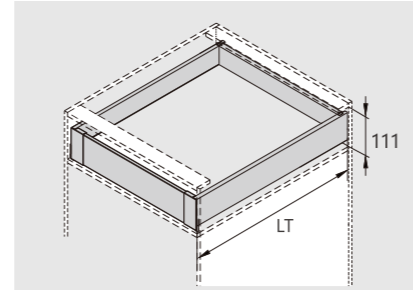
PRODUCT



DESCRIPTION

- Concealed, full extension
- Load capacity: 40kg
- Tool free assembly and removal of drawer
- Silent system guarantees smooth run without noise
- 2D adjustment:
Up & down adjustment: ±2mm
tilt adjustment: +0.5mm, -3.5mm
- Finish: Silk white(E29), Grey matt(E30), Black matt(E36)

SPACE REQUIREMENT

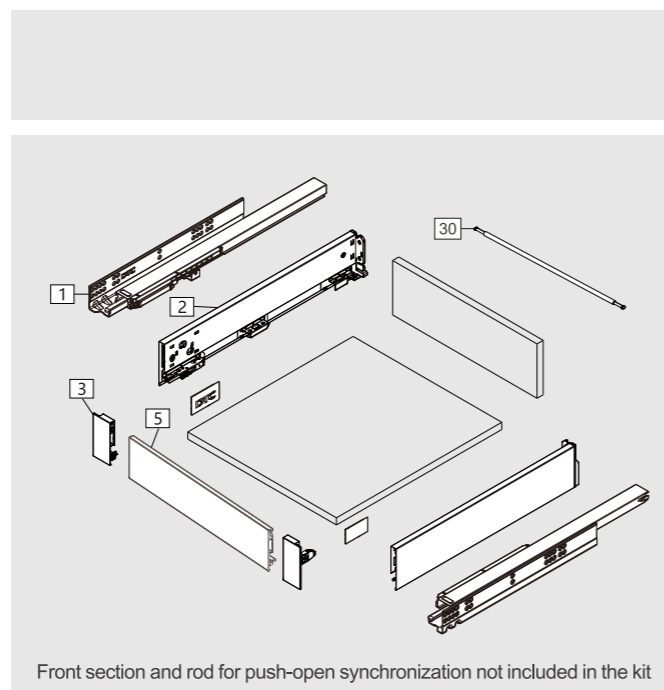


LT=Internal Cabinet Depth
Soft close slides LT=NL+3
Push-open slides LT=NL+13

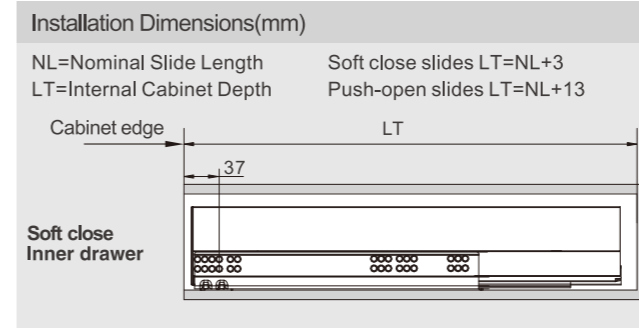
LOW INNER DRAWER FOR WOOD DRAWER BACK

Kit Package				1 Slides (left/right) / Industrial Package				2 Drawer Sides and Cover Caps (left/right) / Industrial Package			
Silk white(E29)! Grey matt(E30)! Black matt(E36)!				Pre-zinc Steel(F02)				Silk white(E29)! Grey matt(E30)! Black matt(E36)!			
NL	Soft Close item No.	Push-open item No.	Set/ctn	NL	Soft Close item No.	Push-open item No.	Set/ctn	NL	Item No.	Set/ctn	
270mm	HD1A2704Q11	HD6A2704Q11	1	270mm	HD10270H	HD102704GX	5	270mm	HD1A27011	5	
300mm	HD1A3004Q11	HD6A3004Q11	1	300mm	HD10300H	HD103004GX	5	300mm	HD1A30011	5	
350mm	HD1A3504Q11	HD6A3504Q11	1	350mm	HD10350H	HD103504GX	5	350mm	HD1A35011	5	
400mm	HD1A4004Q11	HD6A4004Q11	1	400mm	HD10400H	HD104004GX	5	400mm	HD1A40011	5	
450mm	HD1A4504Q11	HD6A4504Q11	1	450mm	HD10450H	HD104504GX	5	450mm	HD1A45011	5	
500mm	HD1A5004Q11	HD6A5004Q11	1	500mm	HD10500H	HD105004GX	5	500mm	HD1A50011	5	
550mm	HD1A5504Q11	HD6A5504Q11	1	550mm	HD10550H	HD105504GX	5	550mm	HD1A55011	5	
600mm	HD1A6004Q11	HD6A6004Q11	1	600mm	HD10600H	HD106004GX	5	600mm	HD1A60011	5	

3	Front Fixing-brackets (left/right) / Industrial Package White(H03)! Dark grey(H11)! Black(H06) Item No. HD1A012X Set/ctn 60
5	Front Section / Industrial Package Size: 1100mm. Cutting: Internal cabinet width LW-97 Silk White(E29)! Grey Matt(E30)! Black matt(E36)! Item No. HT10022 Set/ctn 20
30	Rod for Push-open Synchronization (For cutting to size, 1100mm. Cutting: Internal cabinet width LW-167) Dark Grey(H11) Item No. GG0FH01 Pcs/ctn 120



PLANNING



Cabinet Configuration

Cabinet widths/KB(mm)	Push-open drawer Synchronization rod	
300	○	○ recommended
350	○	
400	○	
450	○	
500	○	
600	○	● strongly recommended
800	●	
900	●	
1000	●	
1200	●	

