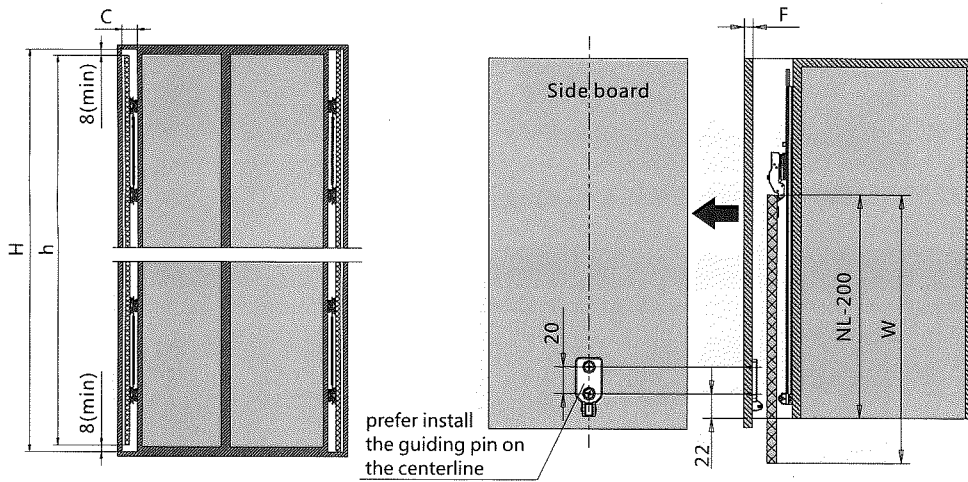


R01 Series Pocket-sliding Door System

Door Installation Dimensions(mm)

NL=Nominal slide length
 C=Cabinet door hidden width
 h=Door height

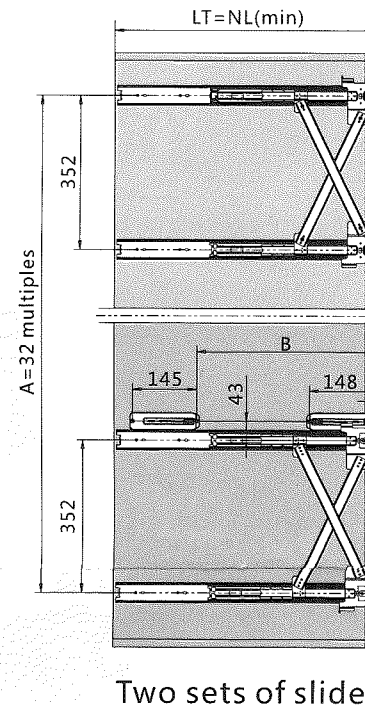
W=Door width
 F=Cabinet outer side board thickness
 H=Cabinet internal height



Door Installation Dimensions

NL	R01-400	R01-450	R01-500
B	204	254	304
h	1400	1600	1800
A	1152(32x36)	1344(32x42)	1536(32x48)

Cabinet Internal Depth : LT



Two sets of slides

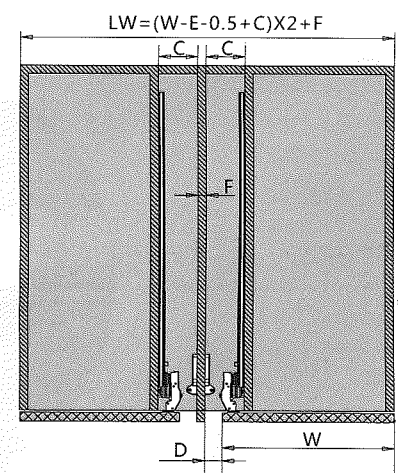
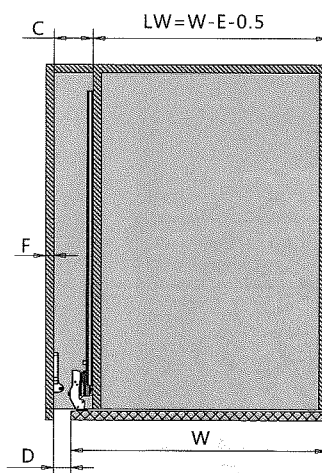
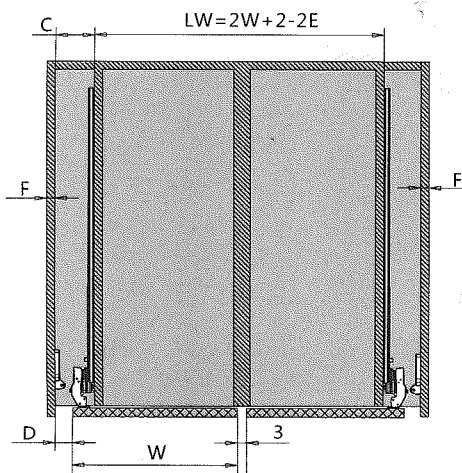
Cabinet Installation Dimensions(mm)

LW=Cabinet internal width

K=Drilling distance

T=Door thickness

D=Distance between

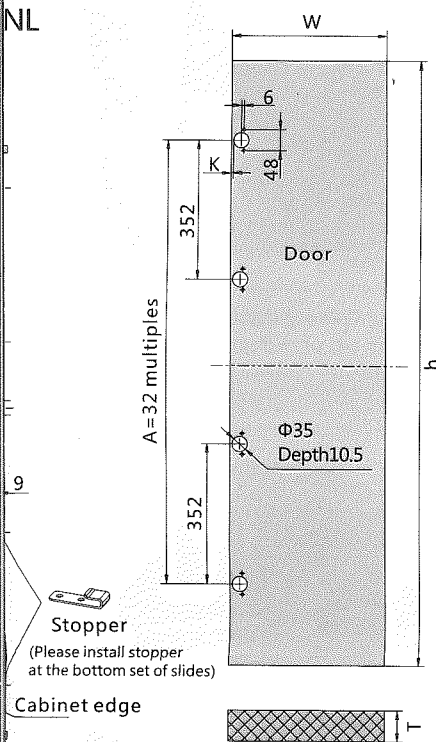


T	C
K	E
4	49.5
5	50.5
6	51.5
7	52.5
8	53.5

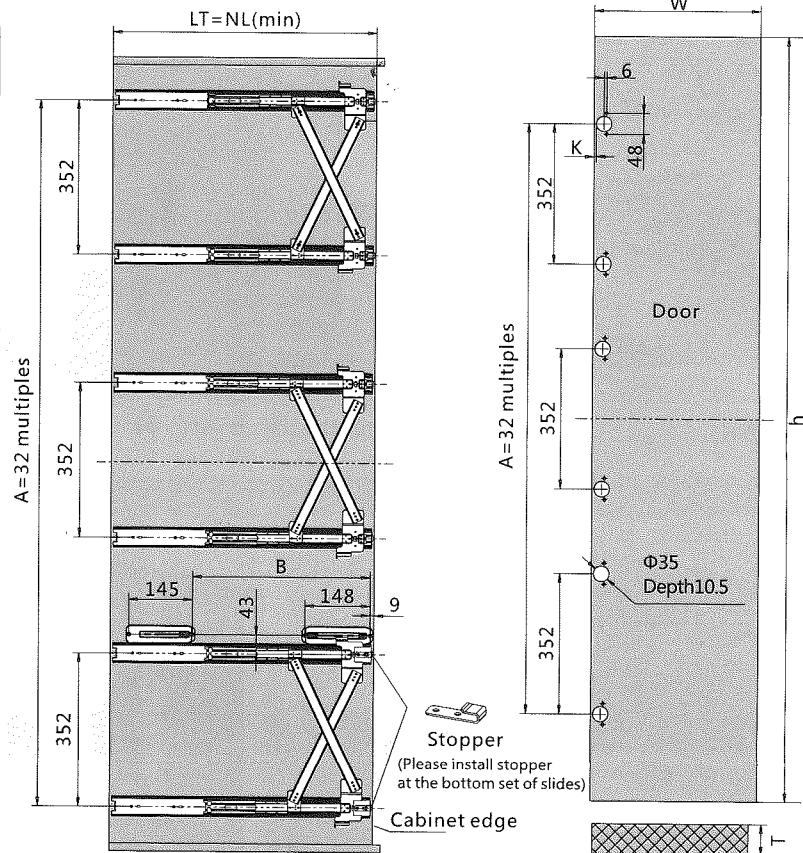
3D Adjust side ad

Dimensions(mm)

00	R01-550	R01-600	R01-650	R01-700
	354	404	454	504
1800	2000	2200	2400	2600/2700
36(32x48)	1760(32x55)	1952(32x61)	2144(32x67)	2368(32x74)



Installation dimensions



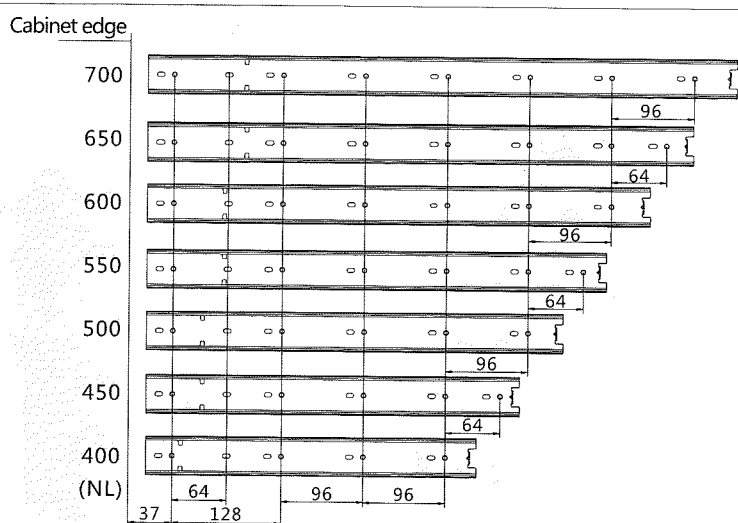
Three sets of slides's installation dimensions

Door and outer side board

	16	18	19	20	21	22	23	24	25	26	27	28	29	30
	58	60	61	62	63	64	65	66	67	68	69	70	71	72
D	9	11	12	13	14	15	16	17	18	19	20	21	22	23
D	8	10	11	12	13	14	15	16	17	18	19	20	21	22
D	7	9	10	11	12	13	14	15	16	17	18	19	20	21
D	6	8	9	10	11	12	13	14	15	16	17	18	19	20
D	5	7	8	9	10	11	12	13	14	15	16	17	18	19

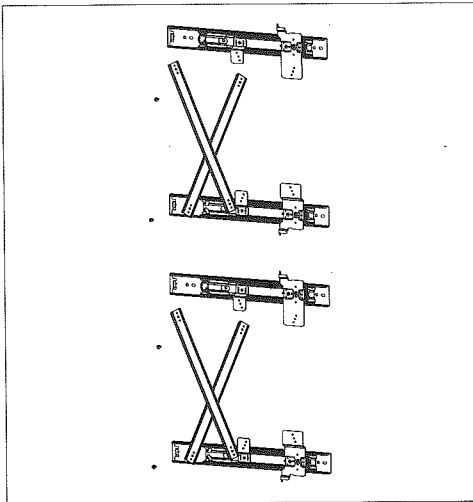
Height adjustment: height adjustment ±2mm
 Depth adjustment: +3mm, -2mm depth adjustment ±3mm

Screw Positions of the Slides(mm)

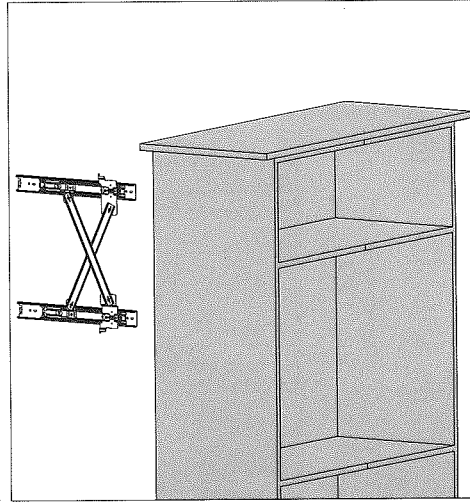


Guangdong Dongtai Hardware Precision Manufacturing Co.,Ltd
 Tel.: +86(0)757-25332283 Fax: +86(0)757-25551876
 E-mail: dtc@dtctc.com Website: www.dtctc.com

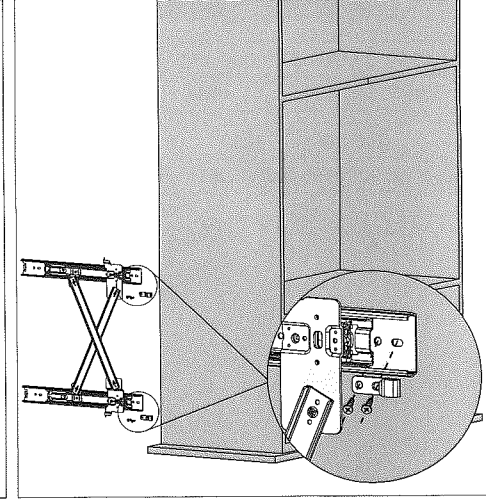
Assembly



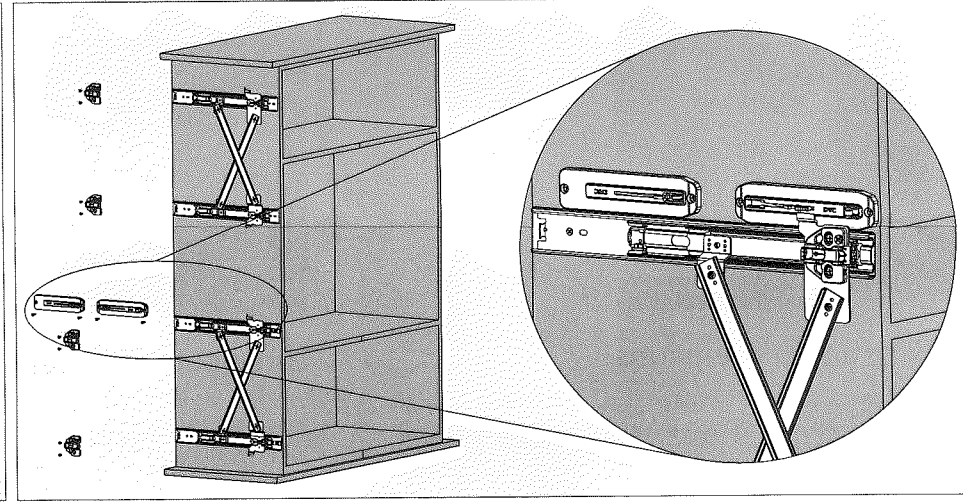
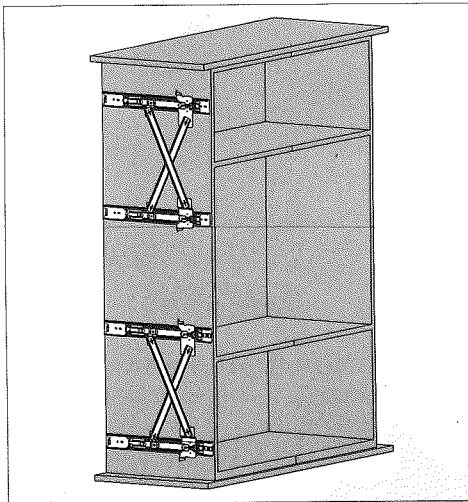
Install cross bars



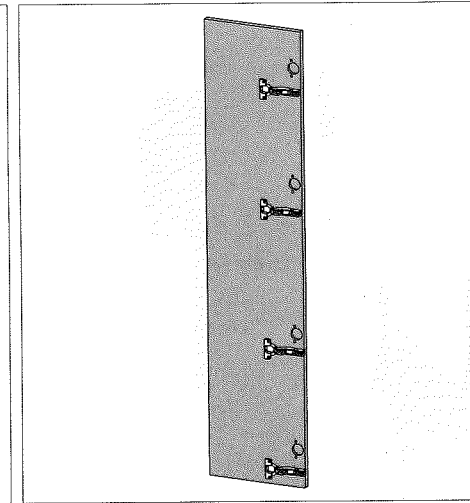
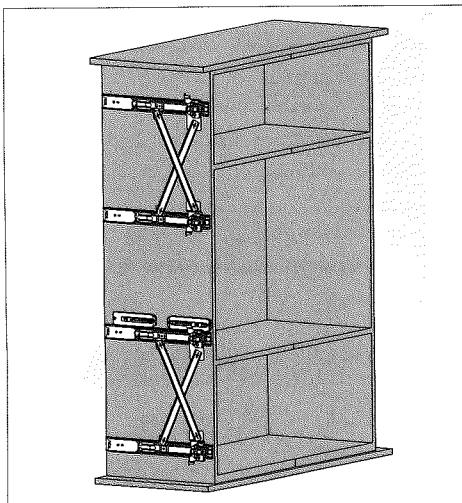
Install the slide on the inner side board



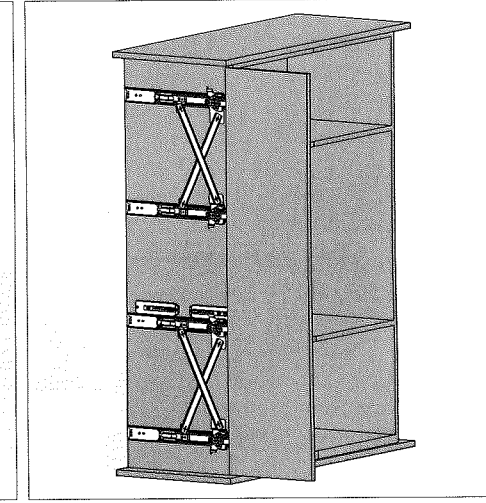
Install stopper (please install the stopper at the bottom set of slides)



Mounting plates and slide accessories assembly

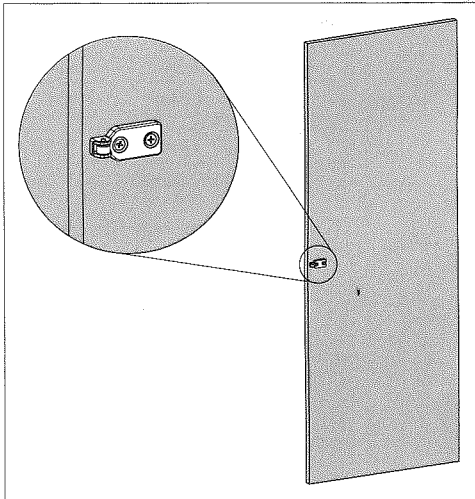


Hinges installation

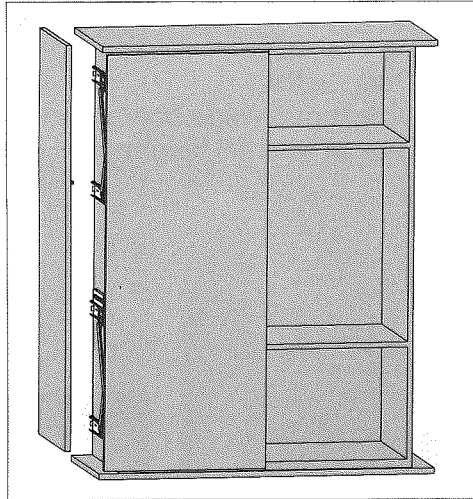


Door assembly

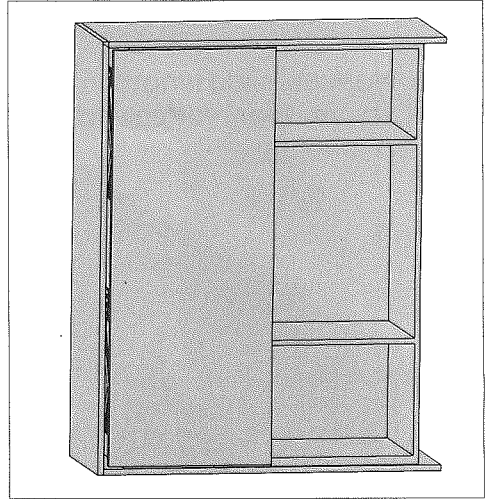
Assembly



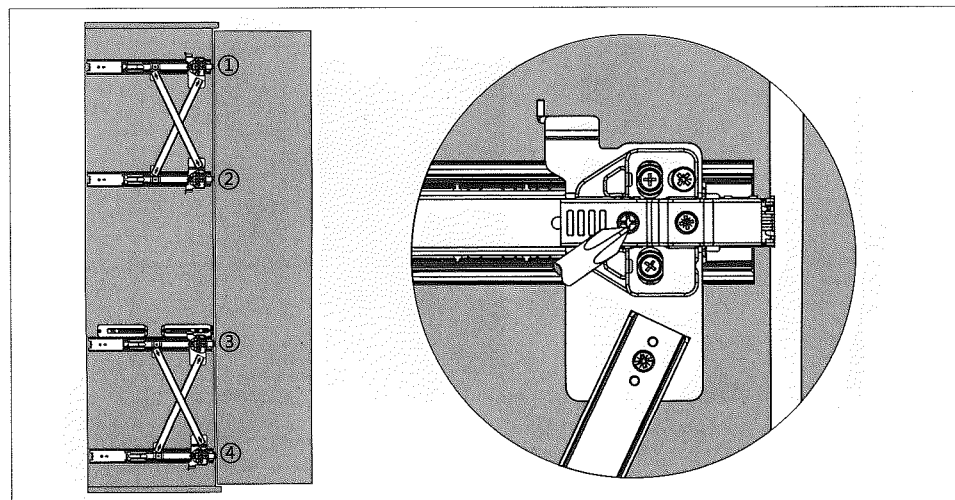
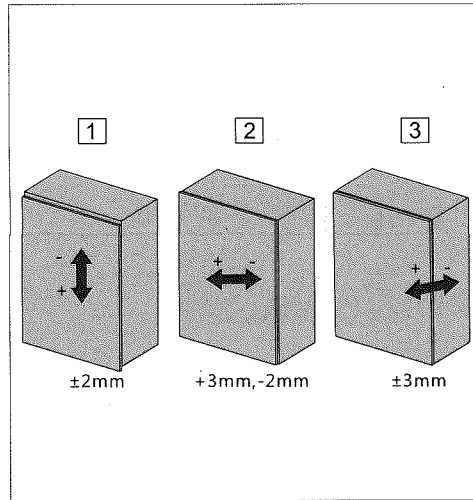
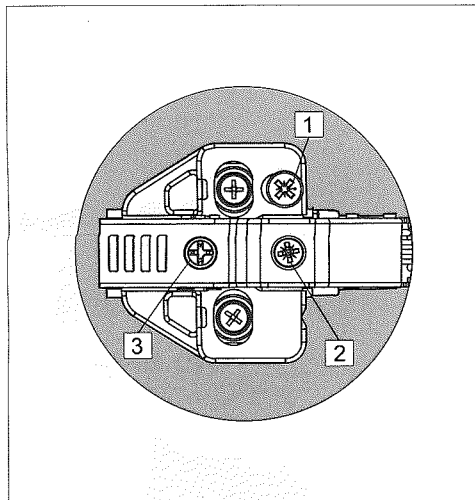
Install the guiding pin on the outer side board



Mount the outer side board



Adjustment



Adjust the screw No. ①③ to make the door move inside
Adjust the screw No. ②④ to make the door move outside