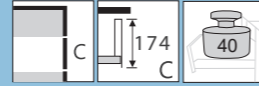


# MAGIC-STAR PLUS

## HD13 Series Straight-sided Drawer System (High Drawer: C Height)



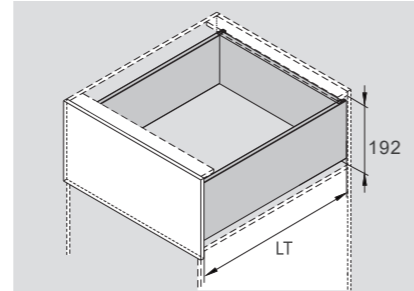
### PRODUCT



### DESCRIPTION

- Concealed, full extension
- Load capacity: 40kg
- Tool free assembly and removal of drawer
- Silent system guarantees smooth run without noise
- 3D adjustment:  
up & down adjustment: ±2mm  
left & right adjustment: ±1.2mm  
tilt adjustment: +0.5mm, -2.5mm
- Finish: Silk white(E 29), Grey matt(E 30)

### SPACE REQUIREMENT

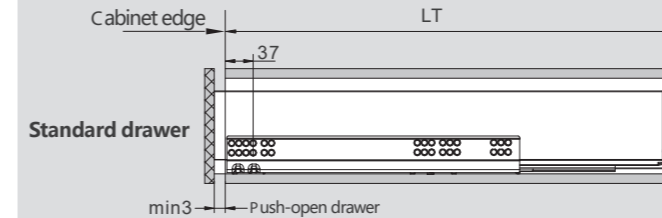


LT=Internal Cabinet Depth  
LT=NL+3

### PLANNING

#### Installation Dimensions (mm)

NL=Nominal Slide Length  
LT=Internal Cabinet Depth  
LT=NL+3



#### Cabinet Configuration

Cabinet widths/KB(mm)	Push-open drawer Synchronization rod	
300	○	○ recommended
350	○	
400	○	
450	○	
500	○	
600	○	● strongly recommended
800	●	
900	●	
1000	●	
1200	●	

### HIGH DRAWER FOR WOOD DRAWER BACK

Kit Package			
Silk White(E 29)! Grey Matt(E 30)!			
NL	Soft Close item No.	Push-open item No.	Set/ctn
270mm	HD13270A17N	HD43270A17N	1
300mm	HD13300A17N	HD43300A17N	1
350mm	HD13350A17N	HD43350A17N	1
400mm	HD13400A17N	HD43400A17N	1
450mm	HD13450A17N	HD43450A17N	1
500mm	HD13500A17N	HD43500A17N	1
550mm	HD13550A17N	HD43550A17N	1
600mm	HD13600A17N	HD43600A17N	1

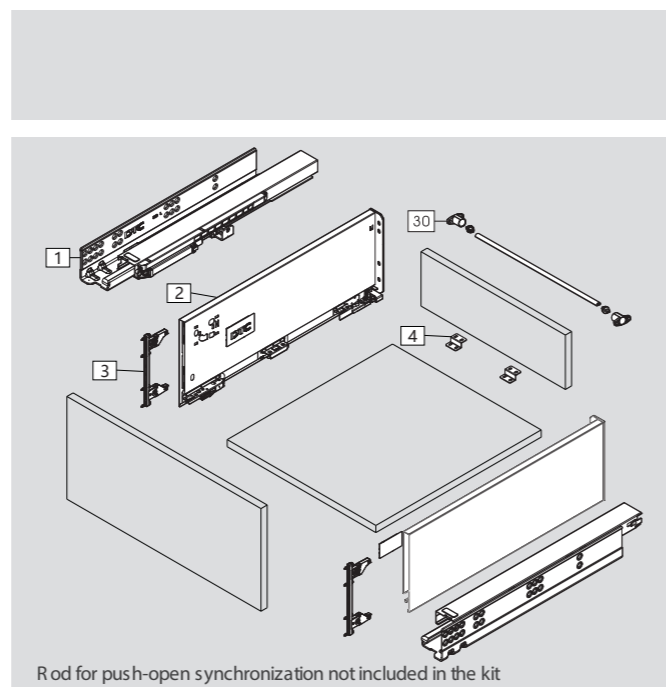
1 S slides (left/right) /Industrial Package			
Pre-zinc Steel(F02)			
NL	Soft Close item No.	Push-open item No.	Set/ctn
270mm	HD10270H	HD40270H	5
300mm	HD10300H	HD40300H	5
350mm	HD10350H	HD40350H	5
400mm	HD10400H	HD40400H	5
450mm	HD10450H	HD40450H	5
500mm	HD10500H	HD40500H	5
550mm	HD10550H	HD40550H	5
600mm	HD10600H	HD40600H	5

2 Drawer Sides and C over Caps (left/right) /Industrial Package			
Silk White(E 29)! Grey Matt(E 30)!			
NL	Item No.	Set/ctn	
270mm	HD132707N	5	
300mm	HD133007N	5	
350mm	HD133507N	5	
400mm	HD134007N	5	
450mm	HD134507N	5	
500mm	HD135007N	5	
550mm	HD135507N	5	
600mm	HD136007N	5	

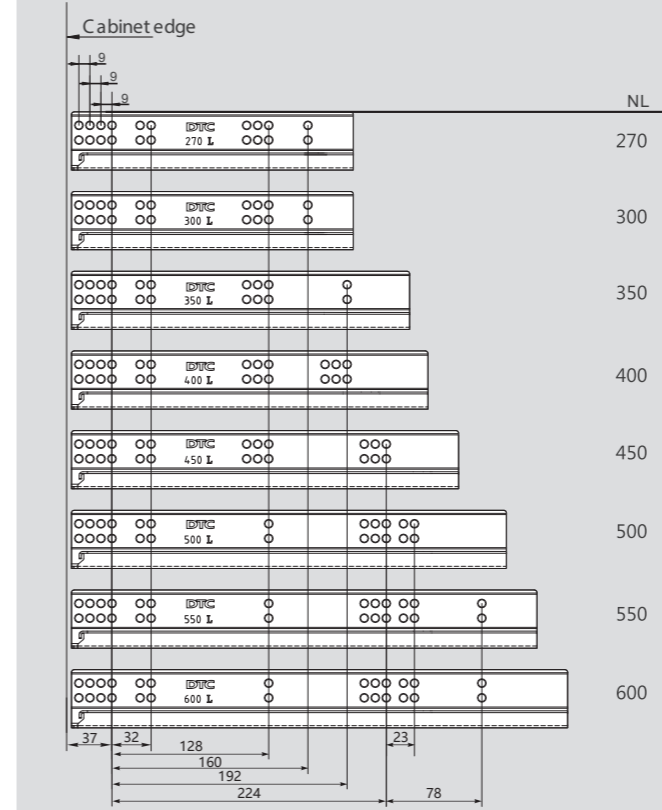
3 Front Fixing-brackets (left/right) / Industrial Package			
Pre-zinc Steel(F02)			
	Item No.	Set/ctn	
Screw-on	HE13011X	60	
Press-in	HE13016X	60	

30 Rod for Push-open Synchronization / Industrial Package			
Size:1100mm.Cutting:Internal cabinet width LW-172 for Nominal Side Length: 350mm, 400mm, 450mm, 500mm, 550mm, 600mm			
Item No.	HT0FH02	Set/ctn	60

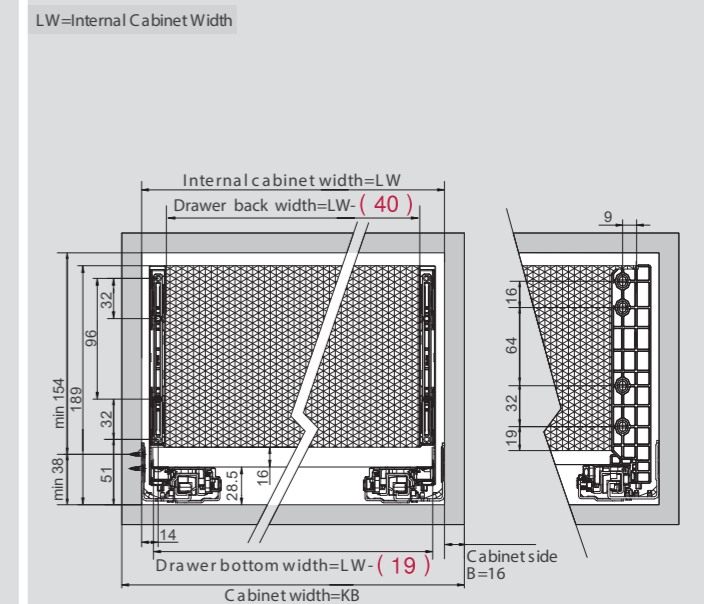
4 Fixing-brackets			
Zinc plated(B04)			
Item No.	HT10082	Pcs/ctn	400



### Screw Positions of the S slides (mm)



### Installation Dimensions (mm)



### Drawer Front, Back and Bottom Dimensions (mm)

