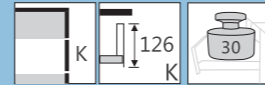


MAGIC-STAR

HE12 Series Straight-sided Drawer System (Medium Drawer: K Height)



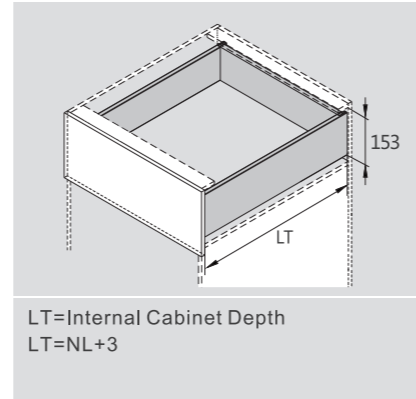
PRODUCT



DESCRIPTION

- Concealed, full extension
- Load capacity: 30kg
- Tool free assembly and removal of drawer
- Silent system guarantees smooth run without noise
- 2D adjustment: Up & down adjustment: $\pm 2\text{mm}$, left & right adjustment: $\pm 1.5\text{mm}$
- Finish: Silk white(E29), Grey matt(E30)

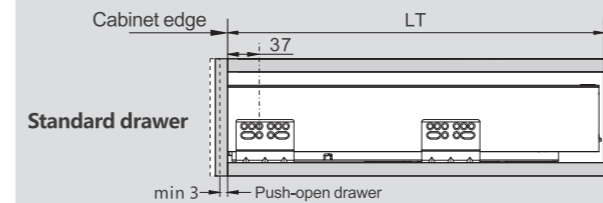
SPACE REQUIREMENT



PLANNING

Installation Dimensions(mm)

NL=Nominal Slide Length
LT=Internal Cabinet Depth
LT=NL+3



Cabinet Configuration

| Cabinet widths/KB(mm) | Soft close drawer Stabilizer | Push-open drawer Synchronization rod | |
|-----------------------|------------------------------|--------------------------------------|------------------------|
| 300 | — | ○ | — not recommended |
| 350 | — | ○ | |
| 400 | — | ○ | |
| 450 | — | ○ | |
| 500 | — | ○ | ○ recommended |
| 600 | — | ○ | ● strongly recommended |
| 800 | ○ | ● | |
| 900 | ○ | ● | |
| 1000 | ○ | ● | |
| 1200 | ○ | ● | |

MEDIUM DRAWER FOR WOOD DRAWER BACK

| Kit Package | | | | |
|----------------------------------|---------------------|--------------------|---------|--|
| NL | Soft Close item No. | Push-open item No. | Set/ctn | |
| Silk White(E29)! Grey Matt(E30)! | | | | |
| 270mm | HE12270A11 | HE42270A11 | 1 | |
| 300mm | HE12300A11 | HE42300A11 | 1 | |
| 350mm | HE12350A11 | HE42350A11 | 1 | |
| 400mm | HE12400A11 | HE42400A11 | 1 | |
| 450mm | HE12450A11 | HE42450A11 | 1 | |
| 500mm | HE12500A11 | HE42500A11 | 1 | |
| 550mm | HE12550A11 | HE42550A11 | 1 | |
| 600mm | HE12600A11 | HE42600A11 | 1 | |

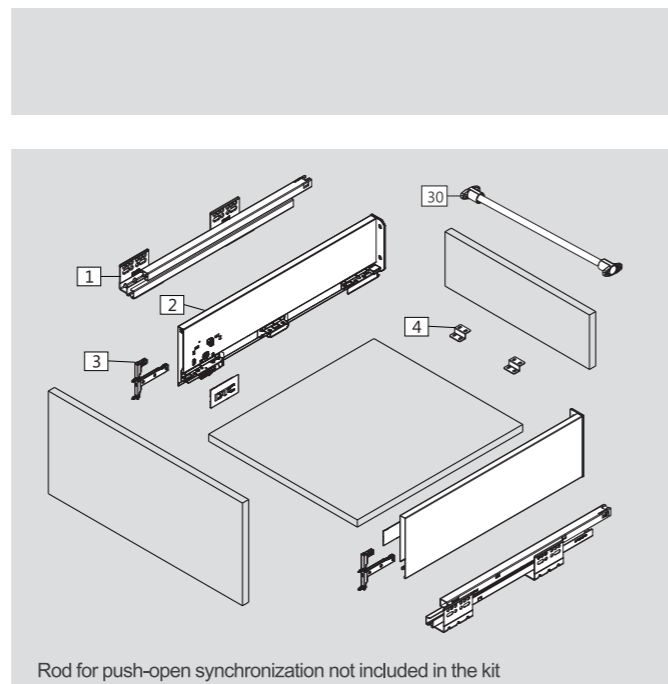
| 1 Slides (left/right) / Industrial Package | | | | |
|--|---------------------|--------------------|---------|--|
| NL | Soft Close item No. | Push-open item No. | Set/ctn | |
| Pre-zinc Steel(F02) | | | | |
| 270mm | HE01270H | HE41270H | 5 | |
| 300mm | HE01300H | HE41300H | 5 | |
| 350mm | HE01350H | HE41350H | 5 | |
| 400mm | HE01400H | HE41400H | 5 | |
| 450mm | HE01450H | HE41450H | 5 | |
| 500mm | HE01500H | HE41500H | 5 | |
| 550mm | HE01550H | HE41550H | 5 | |
| 600mm | HE01600H | HE41600H | 5 | |

| 2 Drawer Sides and Cover Caps (left/right) / Industrial Package | | | | |
|---|----------|---------|--|--|
| NL | Item No. | Set/ctn | | |
| Silk White(E29)! Grey Matt(E30)! | | | | |
| 270mm | HE122701 | 5 | | |
| 300mm | HE123001 | 5 | | |
| 350mm | HE123501 | 5 | | |
| 400mm | HE124001 | 5 | | |
| 450mm | HE124501 | 5 | | |
| 500mm | HE125001 | 5 | | |
| 550mm | HE125501 | 5 | | |
| 600mm | HE126001 | 5 | | |

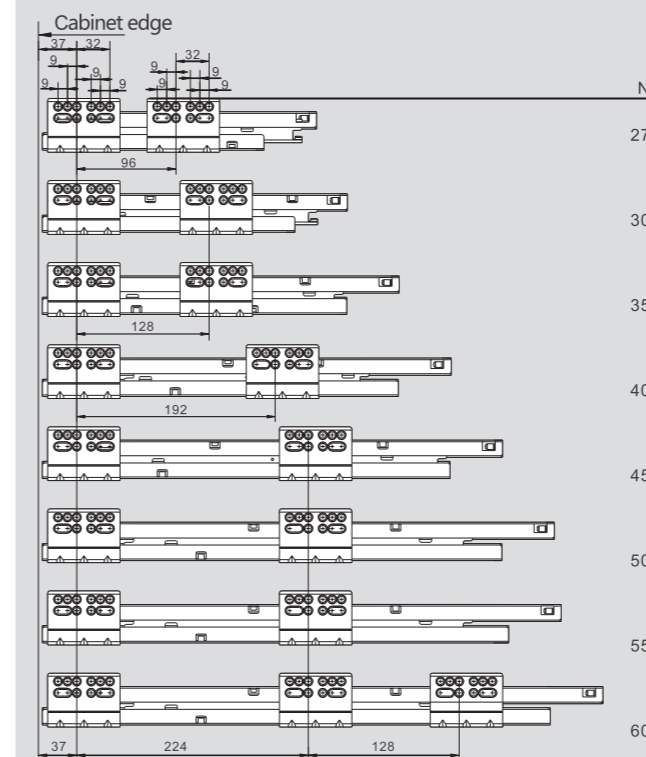
| 3 Front Fixing-brackets (left/right) / Industrial Package | | | | |
|---|----------|---------|--|--|
| Pre-zinc Steel(F02) | | | | |
| | Item No. | Set/ctn | | |
| Screw-on | HT12011 | 120 | | |
| Press-in | HT12016 | 120 | | |

| 4 Fixing-brackets | | | | |
|-------------------|----------|---------|--|--|
| Zinc plated(B04) | | | | |
| | Item No. | Set/ctn | | |
| | HT10082 | 400 | | |

| 30 Rod for Push-open Synchronization / Industrial Package | | | | |
|---|----------|---------|--|--|
| Size:1100mm.Cutting:Internal cabinet width LW-145 | | | | |
| | Item No. | Set/ctn | | |
| | HT0FH02 | 60 | | |

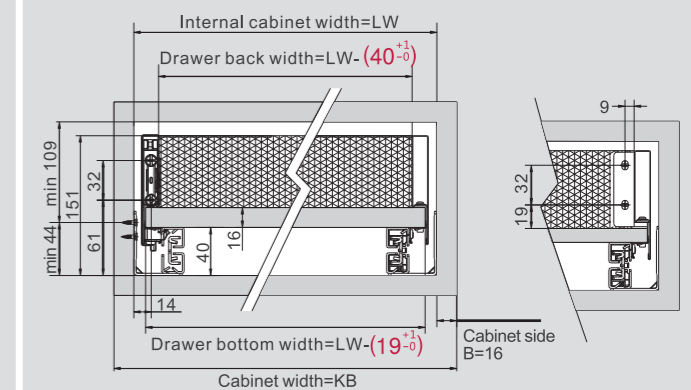


Screw Positions of the Slides(mm)



Installation Dimensions(mm)

LW=Internal Cabinet Width



Drawer Front, Back and Bottom Dimensions(mm)

