

PIVOT-PRO

C80 Series 155° Snap-on Cam-adjustable Soft-close Hinges



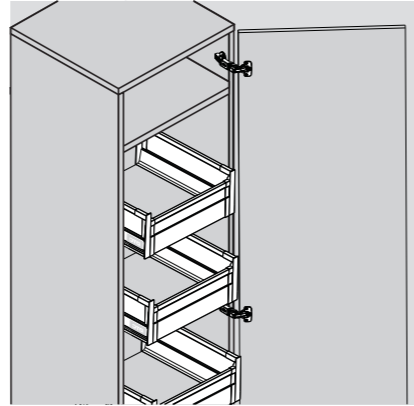
PRODUCT



DESCRIPTION

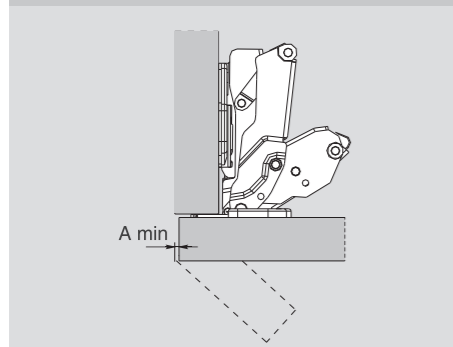
- Opening angle: 155°
- Depth of hinge cup: 11.5mm
- Diameter of hinge cup: 35mm
- Range of door thickness: 16-24mm
- Possible drilling distances on the door(K): 3-6 mm

APPLICATION



PLANNING

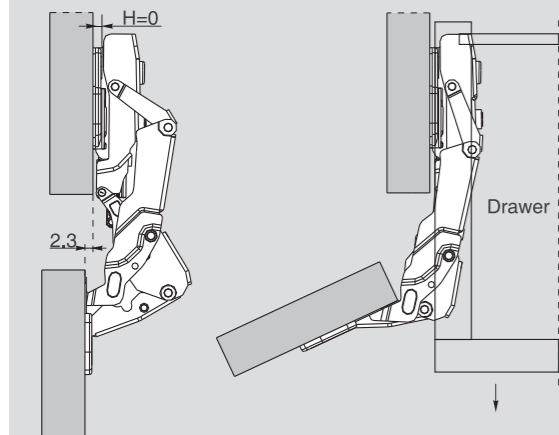
Space needed to open the door



	T=	16	17	18	19	20	21	22	23	24		
K=3	A=	0	0	0	0	0	0	0	0	0		
K=4	A=	0	0	0	0	0	0	0	0	0		
K=5	A=	0	0	0	0	0	0	0	0	0		
K=6	A=	0	0	0	0	0	0	0	0	0		

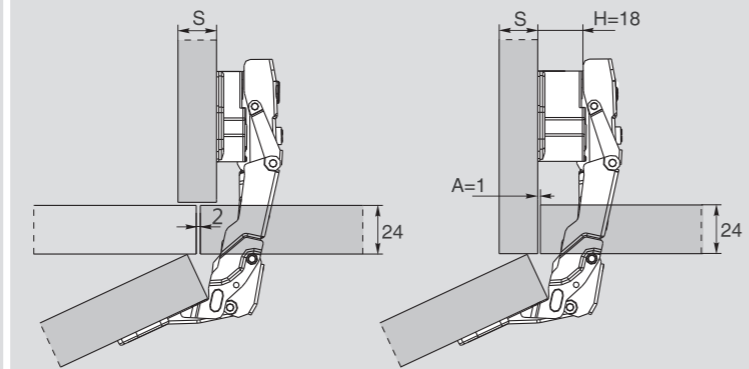
Application

The door combined with a mounting plate H=0, opens at 90° with a 2.3mm protrusion allowing objects(e.g.drawers) move from inside of the cabinet.



Full overlay C=0

No gap is required when door thickness is less than 24mm. A trial assembly is recommended when door thickness is more than 24mm.



Half overlay C=9

Inset C=18

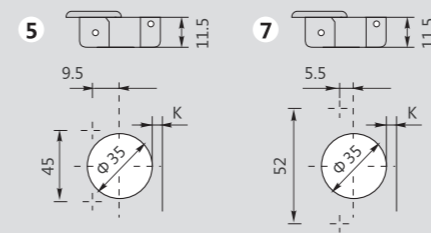
ORDER INFORMATION



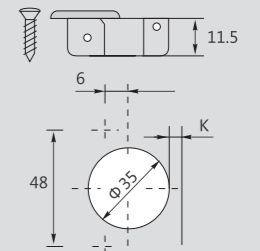
Φ 35mm Options of screws and dowels:

M10 dowel Dowel No: M	Expandable dowel Dowel No: K0
M8 dowel Dowel No: N	Quick dowel Dowel No: T0
Expandable dowel Dowel No: K	

Φ 35mm Hinge cup types



Use these formulas to determine the type of hinge arm, the drilling distance "K" and the height of the mounting plate "H" for each door application.



Nickel plated(A01)

C80 Series 155° snap-on cam-adjustable soft-close hinges

Full overlay C=0		Small overlay C=4		Half overlay C=9		Inset C=18	
H=11+K-(D)		H=11+K-(D)		H=11+K-(D)		H=11+K+(A)	
K=5, for full overlay D=16±2mm, H=0 mounting plate only		K=5, for small overlay D=12±2mm, H=4 mounting plate only		K=5, for half overlay D=7±2mm, H=9 mounting plate only		K=5, for inset door, H=18 mounting plate only	
Item No.	Pcs/ctn	Item No.	Pcs/ctn	Item No.	Pcs/ctn	Item No.	Pcs/ctn
Soft-close C80A606F	100	Soft-close C80A606F	100	Soft-close C80A606F	100	Soft-close C80A606F	100
Sprung C80A606	100	Sprung C80A606	100	Sprung C80A606	100	Sprung C80A606	100