

D-MOTION

SS10C Series Full Extension Undermount Slides with Peg



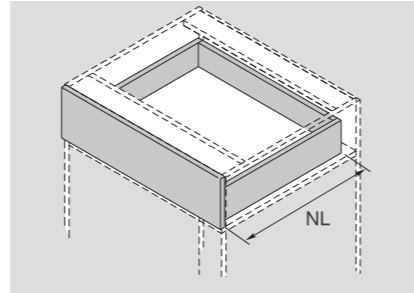
PRODUCT



DESCRIPTION

- Load capacity: 35kg
- Finish: zinc plated
- Length: 250-600mm
- Full extension
- Tool free assembly and removal of drawer
- Silent system guarantees smooth run without noise
- Drawer up&down adjustment: 0~+4mm
- Maximum drawer side thickness:16mm

SPACE REQUIREMENT

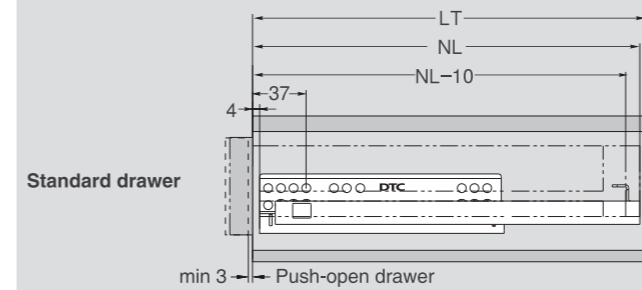


NL: Nominal Length

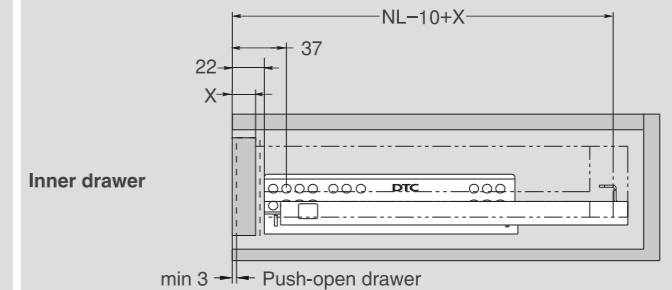
PLANNING

Installation Dimensions(mm)

NL=Nominal Slide Length LT=Internal Cabinet Depth LT=NL+3



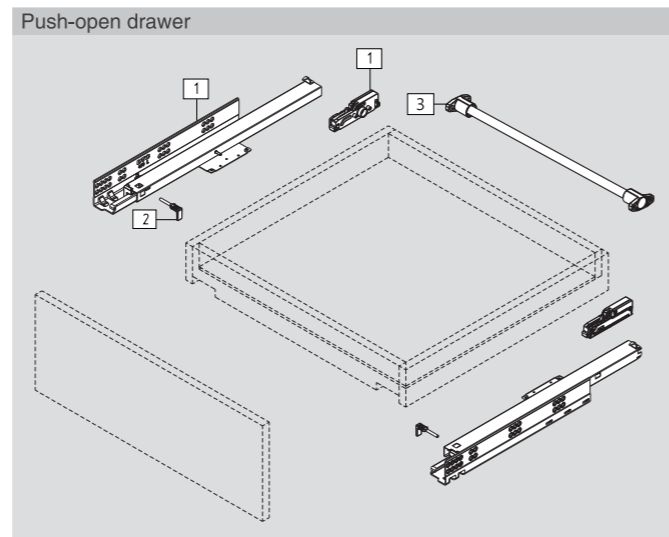
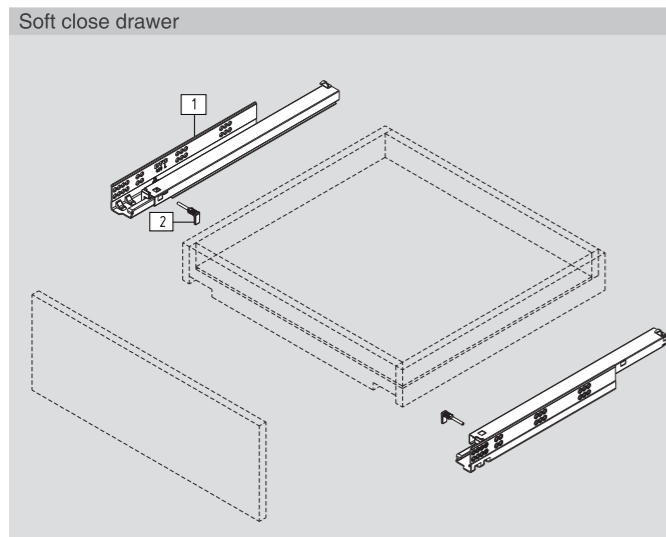
NL=Nominal Slide Length LT=Internal Cabinet Depth LT=NL+21



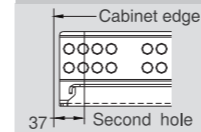
SOFT CLOSE DRAWER / PUSH-OPEN DRAWER

NL	Soft Close		Push-open	
	Item No.	Set/ctn	Item No.	Set/ctn
250mm	SS10C250H	10	FF10C250HX	6
270mm	SS10C270H	10	FF10C270HX	6
300mm	SS10C300H	10	FF10C300HX	6
350mm	SS10C350H1	10	FF10C350HX	6
400mm	SS10C400H1	10	FF10C400HX	6
450mm	SS10C450H1	10	FF10C450HX	6
500mm	SS10C500H1	10	FF10C500HX	6
550mm	SS10C550H1	10	FF10C550HX	6
600mm	SS10C600H1	10	FF10C600HX	6

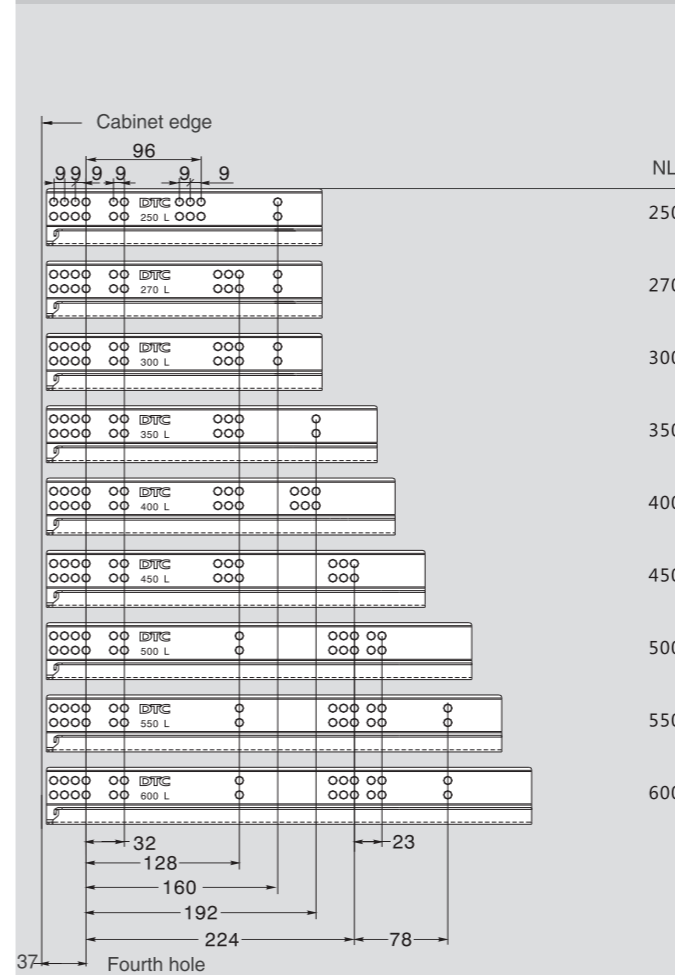
Item No.	Item No.
SJS01	HT0FH02



Fixing Hole Position for Inner Drawer(mm)

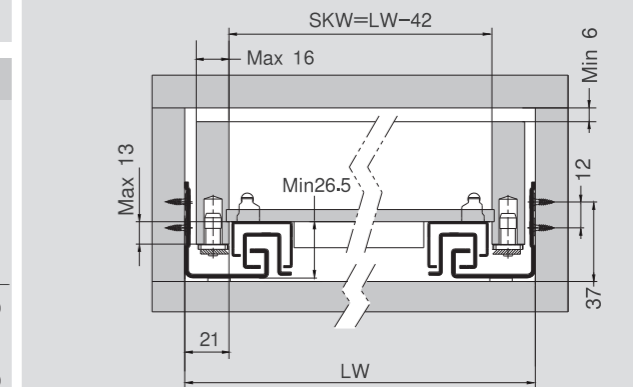


Screw Positions of the Slides(mm)

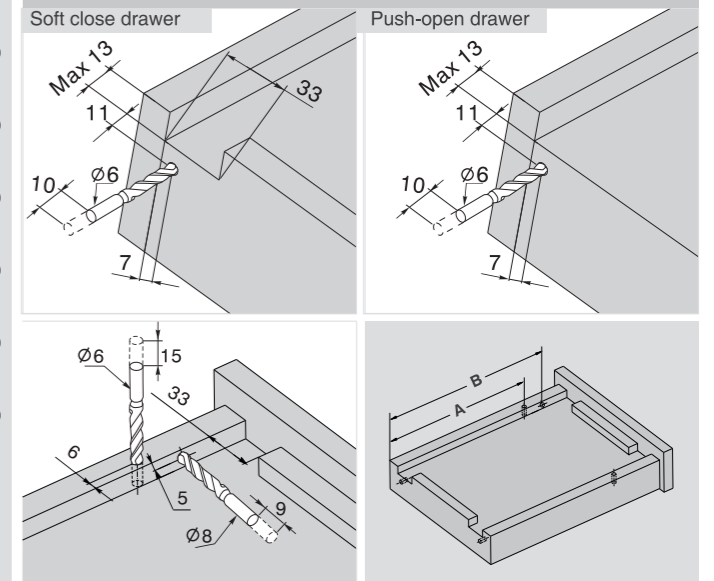


Installation Dimensions(mm)

SKW=Internal Drawer Width
LW=Internal Cabinet Width



Drawer Back Preparation(mm)



NL (mm)	250	270	300	350	400	450	500	550	600
A (mm)	190	205	245	270	305	330	355	390	415
B (mm)	200.5	215.5	255.5	280.5	319.5	369.5	419.5	469.5	519.5