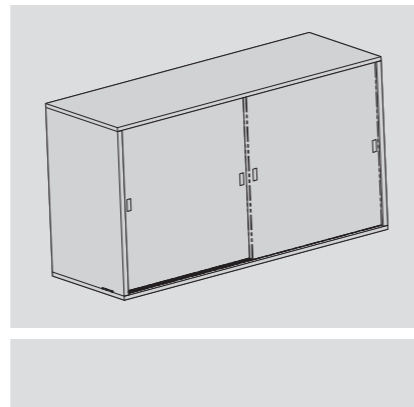


PRODUCT

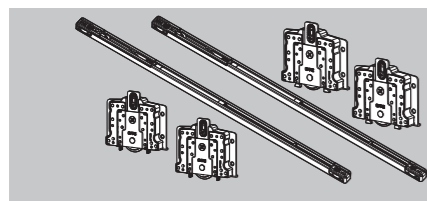


DESCRIPTION

- Gentle and smooth door opening and closing thanks to patented damper design
- Effective catching mechanism prevents door disengagement
- Double-roller devise on damper trigger provides smooth and stable movement and avoids roller disengagement
- Sufficient door height adjustments, efficient and convenient adjustments thanks to unique eccentric disc design on bottom roller
- 12mm sprung adjustment, and 4mm eccentric adjustment (totally adjustment 16mm)



CSS TWO-WAY SOFT-CLOSE, SURFACE-MOUNT ROLLER WITH BRUSH, FOR WOOD DOOR



Kit Package			
Door Weight(KG)	Item No.	Set/ctn	
5~15	0CSS03A	10	
15~30	0CSS03B	10	
30~50	0CSS03C	10	

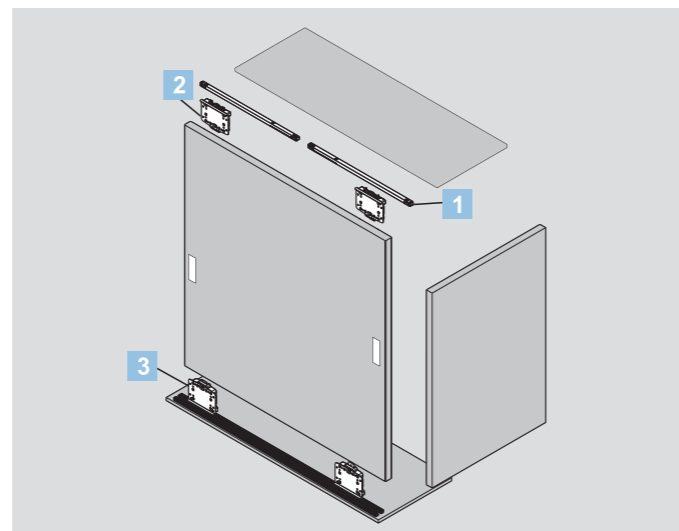
0CSS03 Kit Package includes:

2 x damper	2 x surface-mount top roller	2 x surface-mount bottom roller with brush

1	Damper / Industrial package		
	Door Weight(KG)	Item No.	Pcs/ctn
	5~15	CSSHCA1	200
	15~30	CSSHCA2	200
	30~50	CSSHCA3	200

2	Surface-mount top roller / Industrial package	
	Item No.	Pcs/ctn
	CSSMLA	100

3	Surface-mount bottom roller with brush Industrial package	
	Item No.	Pcs/ctn
	CSSMLB	100



PLANNING

Sliding Door Installation Dimensions(mm)

H=wardrobe internal height
 h=door height
 LT=wardrobe internal depth
 T=door thickness
 Wardrobe internal depth: LT=95(min)
 Door height:h=H-35
 Door thickness:T=24(max)

Distance from door bottom to bottom track surface: 2~11

Sliding Door Installation Dimensions(mm)

W=door width
 L=wardrobe internal width
 Door Width: $W=L/2+15$

Door self closing distance K=50

Sliding Door Installation Dimensions(mm)

sprung adjustment 12
 eccentric adjustment 0-4

Top Track Installation Dimensions(mm)

Top Track / Industrial package	
Silver white (F98)	
Item No.	Pcs/ctn
CSSDG02	5
Length : 6 meters	

Bottom Track Installation Dimensions(mm)

Bottom Track / Industrial package	
Silver white (F98)	
Item No.	Pcs/ctn
CSSDG03	10
Length : 6 meters	