

ROLLER SLIDES

L Series Bottom Mounted Epoxy Roller Slides



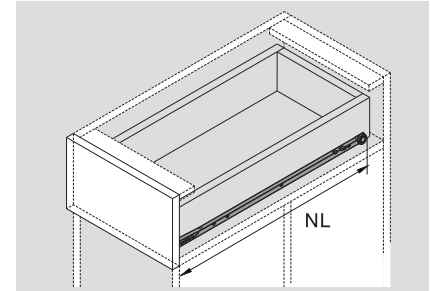
PRODUCT



DESCRIPTION

- Load capacity: 25kg
- Self-closing
- Double stop positions
- Lengths: 250-600mm
- Silent wheels
- Finish: white(E01)/grey(E03)/brown(E04)/black(E05)

SPACE REQUIREMENT

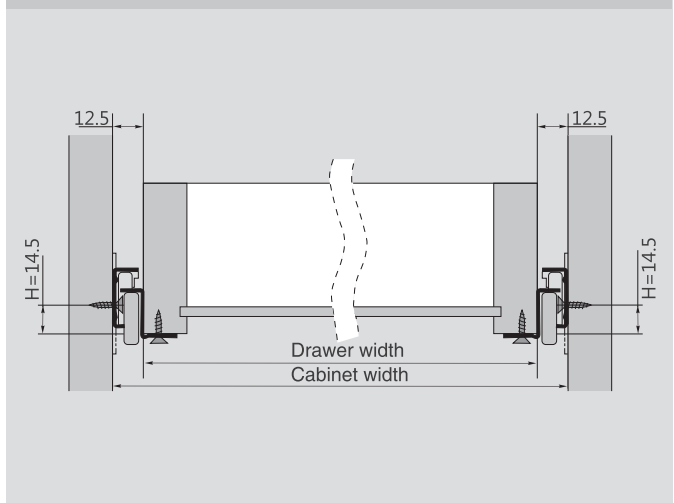


NL Nominal length

ORDER INFORMATION

1 				
Slides (left/right)				
White(E01) Grey(E03) Brown(E04) Black(E05)				
NL	 Thickness 1.0mm item No.	 Thickness 1.2mm item No.	Set/ctn	
250mm	L109	L101	24	
300mm	L129	L121	24	
350mm	L149	L141	24	
400mm	L169	L161	24	
450mm	L189	L181	24	
500mm	L209	L201	24	
550mm	L229	L221	24	
600mm	L249	L241	24	

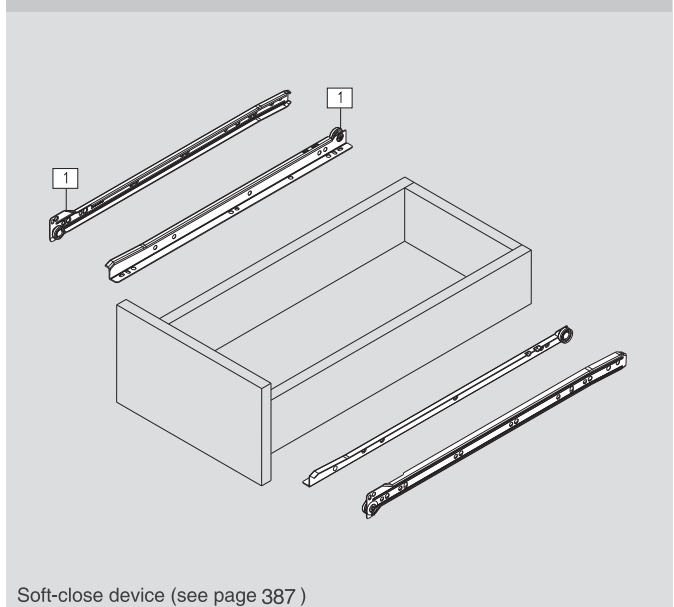
Installation Dimensions(mm)



Screw Positions of the Slides(mm)

Cabinet edge	NL
	250
	300
	350
	400
	450
	500
	550
	600

Drawer



EPOXY SLIDE