

SINGLE-WALL DRAWER SYSTEMS

F13G 118mm Single-wall Drawer Systems



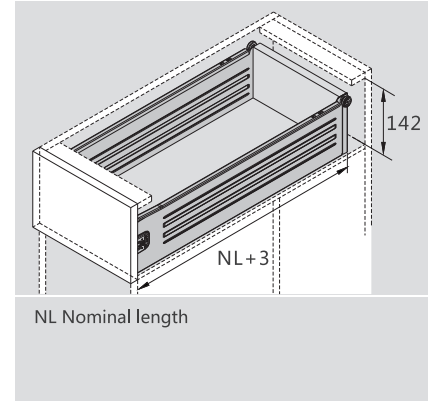
PRODUCT



DESCRIPTION

- Load capacity: 25kg
- Self-closing
- Double stop positions
- 2D adjustment:
up & down adjustment: $\pm 2\text{mm}$
left & right adjustment: $\pm 2\text{mm}$
- Lengths: 270-550mm
- Silent wheels
- Finish: white(E01)/Silver grey(E07)

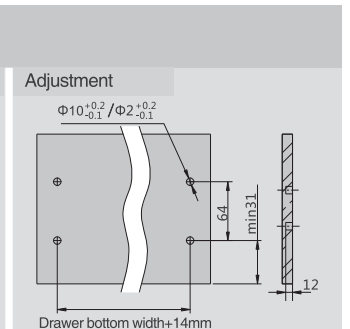
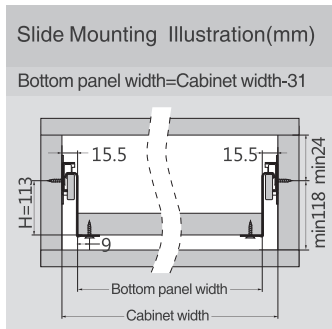
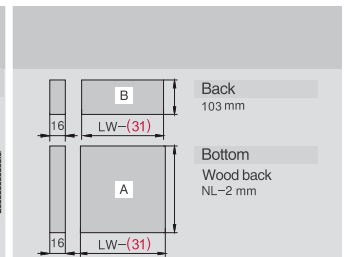
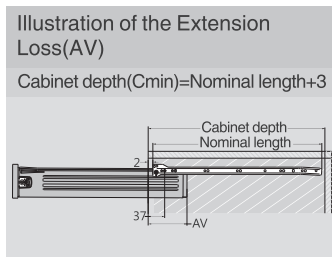
SPACE REQUIREMENT



MEDIUM DRAWER FOR WOOD DRAWER BACK

1		Slides (left/right)	
		White(E01) Silver Grey(E07)	
NL		Thickness 1.2mm item No.	Set/ctn
250mm		F13G100	10
270mm		F13G110	10
300mm		F13G120	10
350mm		F13G140	10
400mm		F13G160	10
450mm		F13G180	10
500mm		F13G200	10
550mm		F13G220	10

4		Front Fixing-brackets left/right	
		Nickel Plated(A02)	
		Item No.	Pcs/ctn
Screw-on		L1M	200
Press-in		L1MM	200



Screw Positions of the Slides(mm)	
2 - Cabinet edge	NL
	250
	270
	300
	350
	400
	450
	500
	550

